



Thank you for choosing the Team Magic G4RS. Before you start building the G4RS, we suggest you read through the instruction manual first. Be sure to check all assembly and performance tips before you start. We hope you enjoy the fine building processes.

General Building Tips:

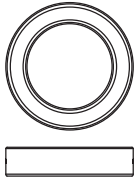
- ▶ Read the instruction manual before building.
- ▶ Clear a work area and try to work on a light color towel to avoid missing dropped parts.
- ▶ Don't forge the thread lock. Be certain to use thread-lock on all the machine screws that thread into metal. Put it on the screws that are secured with locknuts and the setscrews that secure the linkage stops, too. Don't skimp on the thread-lock or you'll be searching in the dirt for screws that vibrated loose.
- ▶ Don't over-tighten fasteners. Many assembly problems are caused by over-tightening screws or nuts. Don't use too large a grip. Please go slowly and feel the resistance build. Just snug it up.
- ▶ As you put more time and runs on the car, the suspension arms, and basically anything else that moves, can stretch and wear. Though we have a very rigorous quality control program and make every effort to ensure that the parts have the best possible fit when you get them. Unfortunately there is very little, or nothing we can do to prevent these parts from wearing out. When the arms begin to wear you will notice that some slop develops between the carrier or hub and the arms. This slop can be taken out by shimming the arm, hub or carrier. If you take a look at any of the factory driver's cars you will definitely find that they use shims to take up some of the slop that occurs over a period of time. The shims can also be used on the inside of the suspension arms in the same manner. When shimming the parts, care must be taken not to add too many shims. The parts must still move freely without binding.
- ▶ When it doesn't fit, please double check. If an assembly is not going together correctly, then either there really is a bad fit (e.g. a part is damaged or defective) or a mistake in assembly. Always re-read the instructions when there are any problems. If you cannot figure out what's wrong, always ask dealer, distributor or Team Magic. Don't use force beyond what the instructions call for.
- ▶ Using the right tools makes assembly much easier. The instructions below finely indicate you what tools to get to make things easier. We don't want to scare you by saying that all these tools are required, but you will have an easier time if you have them. Borrow them from a friend to check if necessary.
- ▶ The assembly is arranged so that you will open the bag and finish that bag before you go on to the next bag. Sometimes, you will have parts remaining at the end of a bag. These will become part of the following bags.

A Good Dealer Is Extremely Important!!

A good hobby dealer can help you with most assembly problems you might encounter. This is the main reason why you should buy your kits from a good dealer rather than from the cheapest dealer. Bring your problematic parts to the dealer and, most likely, you'll walk away soon thereafter with the problem solved. If you think that you really don't have the mechanical skills to complete the assembly, you may pay your dealer to finish the job for you. We can recommend good dealers to you if you need. Please send us mails for more information. Email: service@teammagic.com.tw



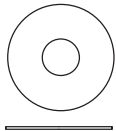
126303S x4
3x3mm screw



151218 x4
12x18 ballbearing



116228 x2
2x9.0 pin



130109 x2
5.2x15x0.3 washer



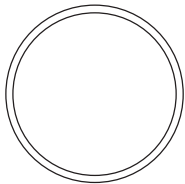
130110 x4
3.6x8.5x0.2 washer



152005 x2
4.7x1.4 oring

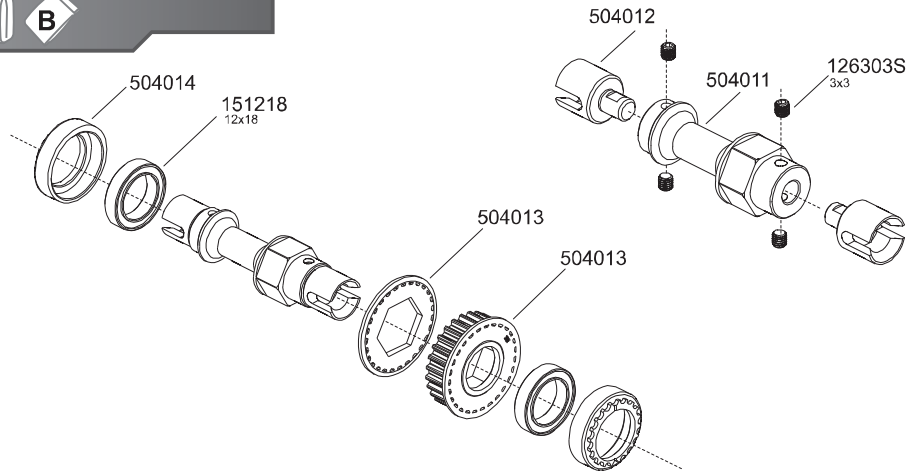


122506 x4
2.5x6 screw

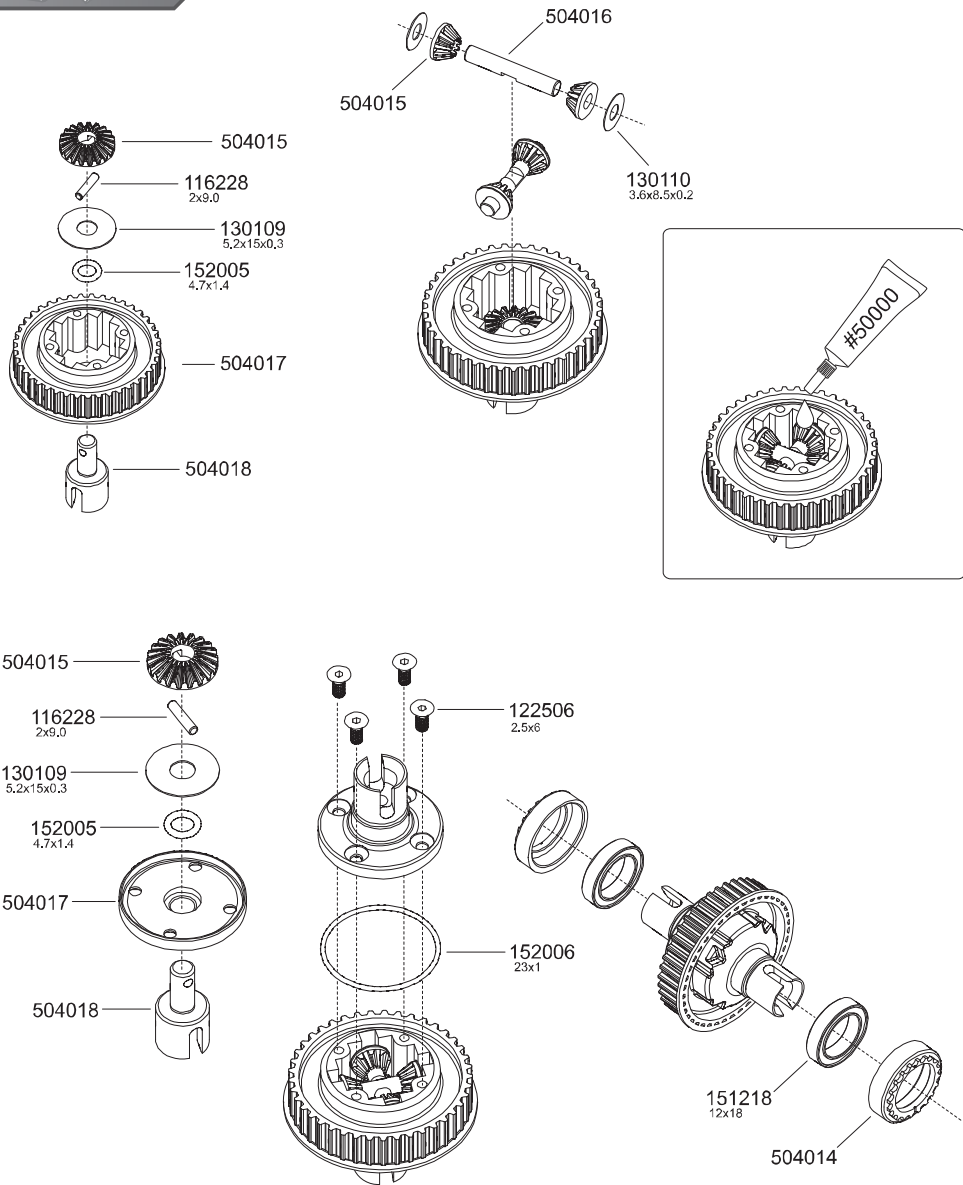


152006 x1
23x1 oring

01 B



02 B





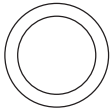
111161 x4
M2.0 locknut



130111 x4
2.6x6 washer



152007 x8
P3 oring



152002 x4
11.2x1.7 oring

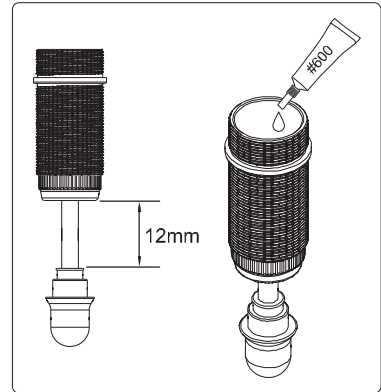
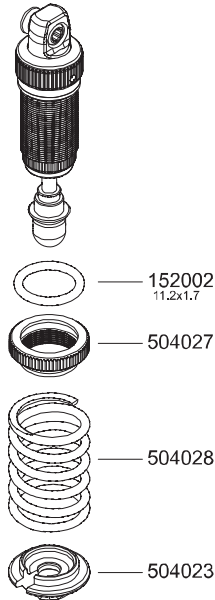
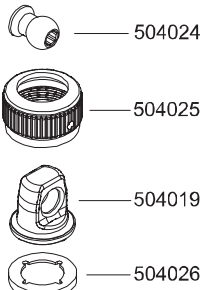
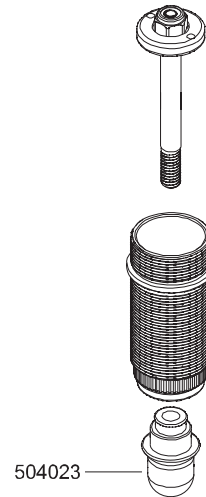
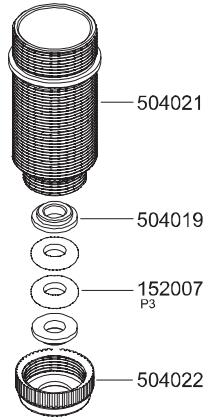
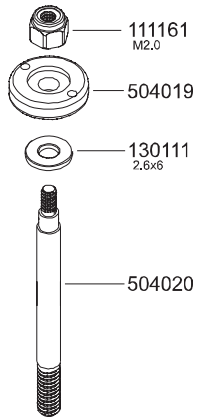


126306 x6
3x6 screw

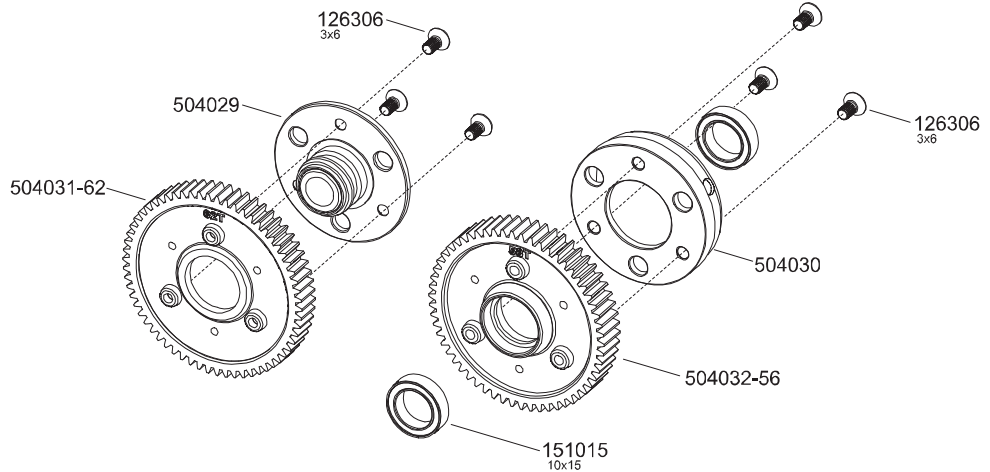


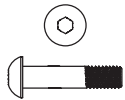
151015 x2
10x15 ball bearing

03 B



04 B





126314HBU x2
3x14 screw



126305S x2
3x5 screw



116206 x1
2x9.8 pin



116203 x1
E5.0 E-clip



126308C x4
3x10 screw



126312C x1
3x12 screw



130113 x3
5x9x0.15 washer



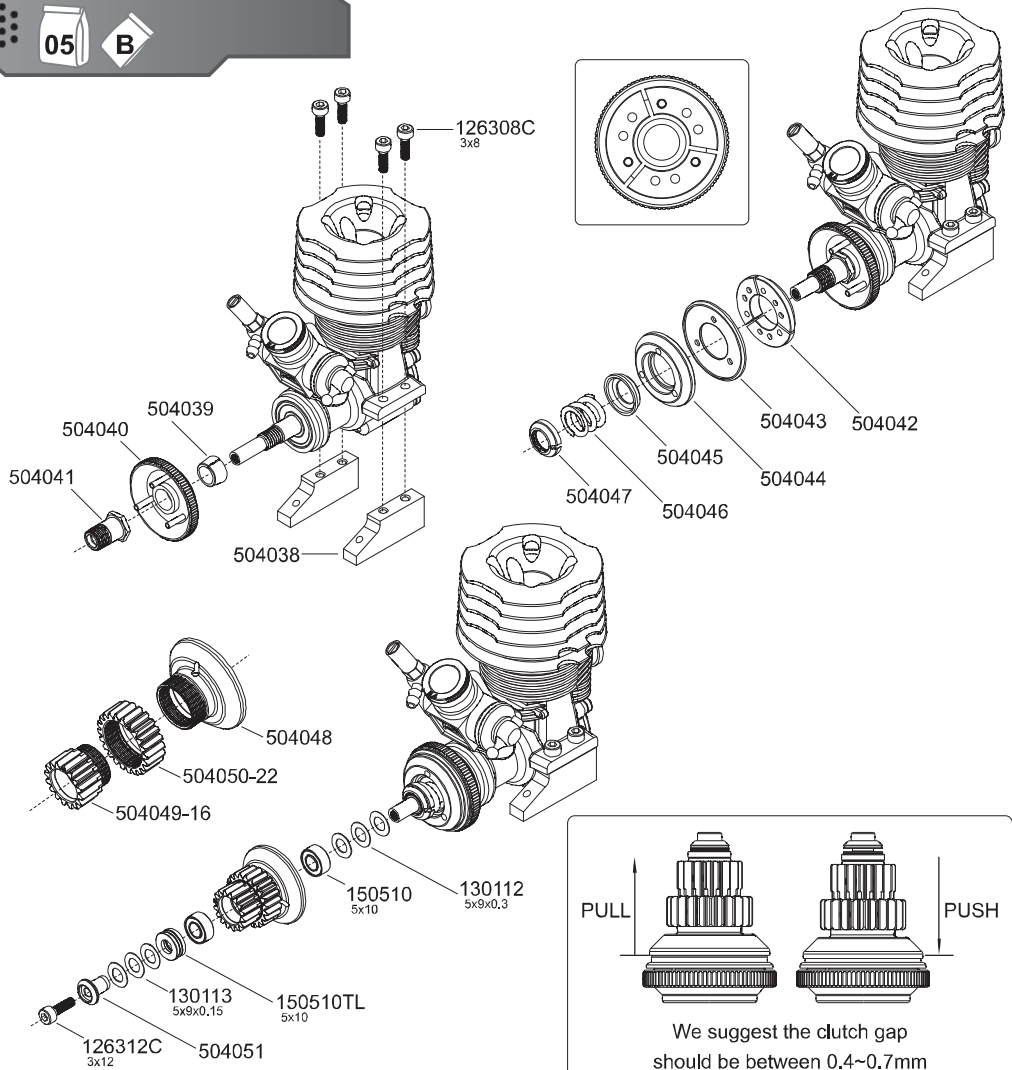
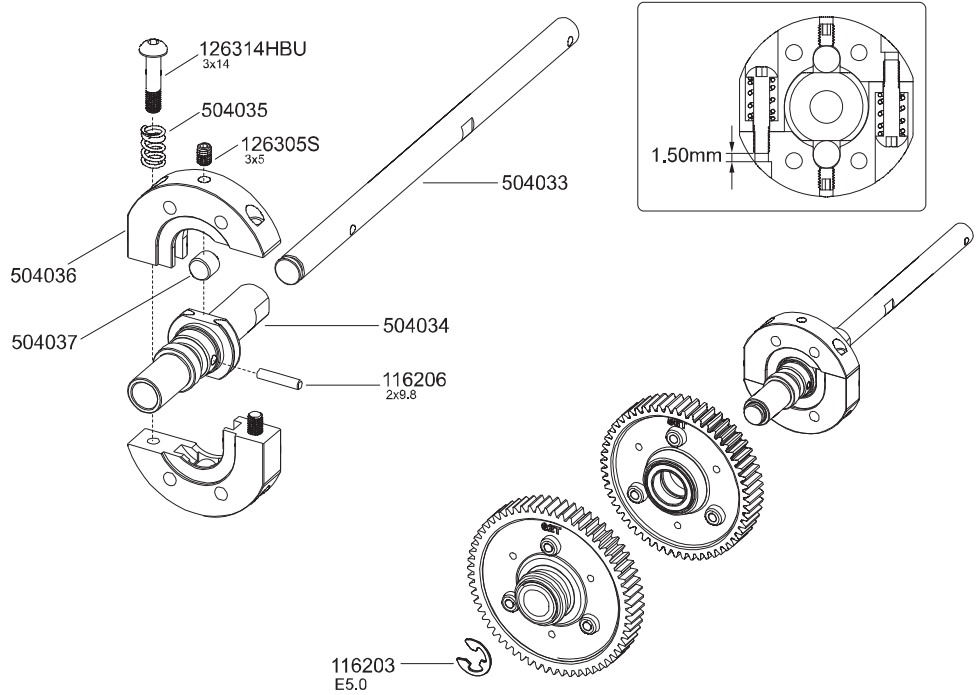
130112 x3
5x9x0.30 washer



150510 x2
5x10 ballbearing



150510TL x2
5x10 trustbearing





126303S x1
3x3mm screw



126306 x1
3x6 screw



126308 x9
3x8 screw



126305S x2
3x5 screw



126310 x6
3x10 screw



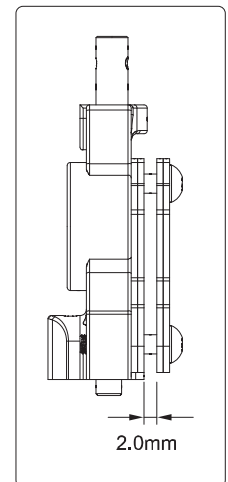
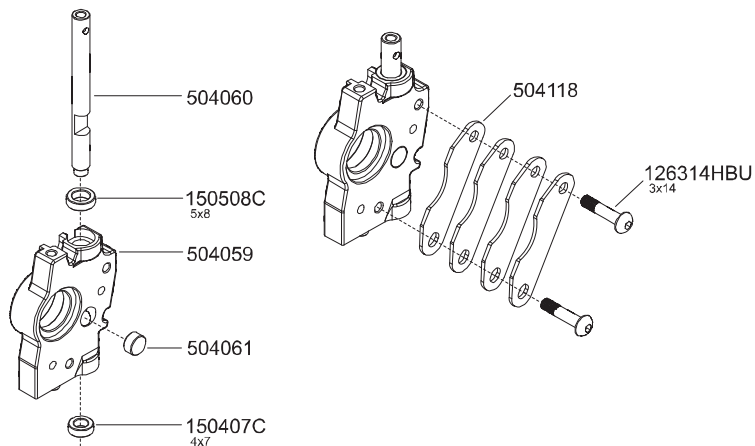
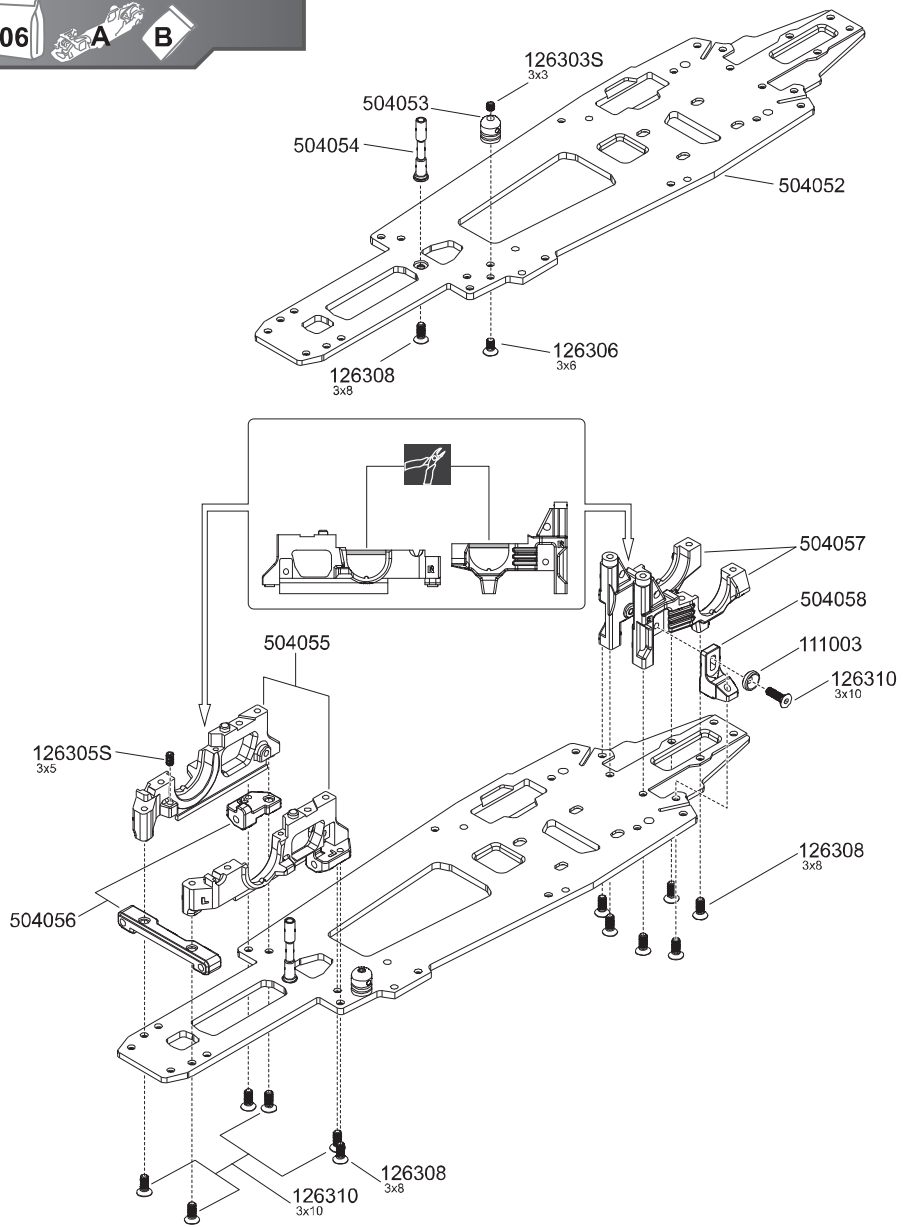
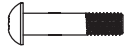
150508C x1
5x8 collar

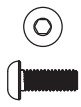


150407C x1
4x7 collar



126314HBU x2
3x14 screw

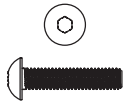




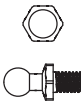
126308BU x4
3x8 screw



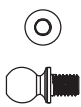
126308 x8
3x8 screw



126314BU x1
3x14 screw



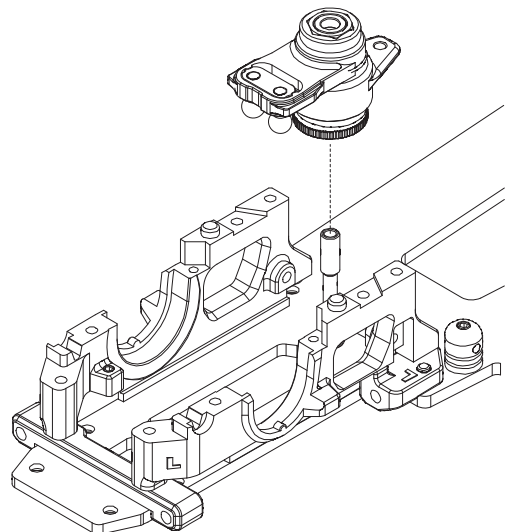
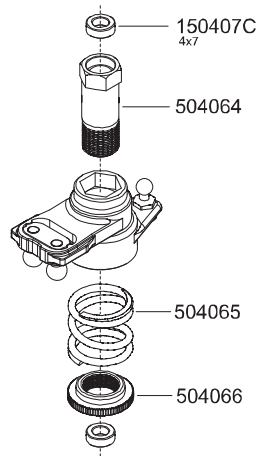
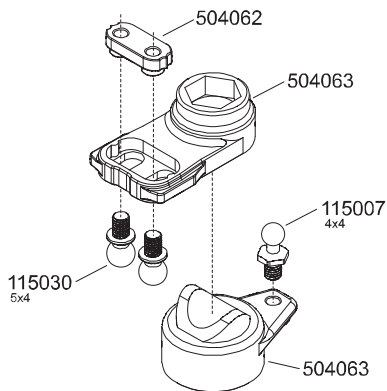
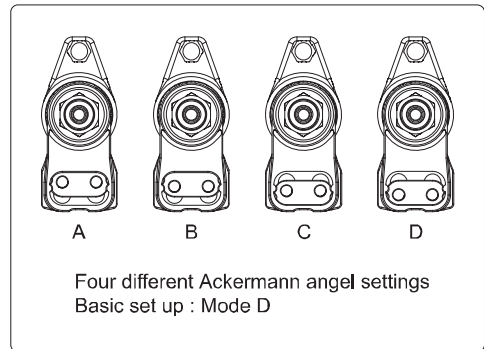
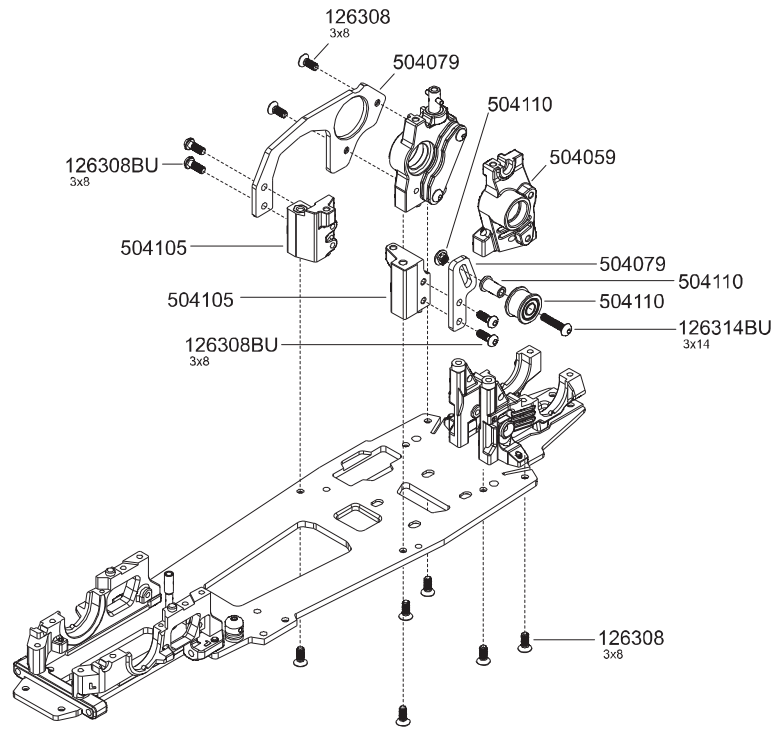
115007 x1
4x4 ballstud



115030 x2
5x4 ballstud




150407C x2
4x7 collar

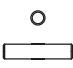




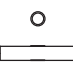
 126303S x2
 3x3mm screw




 152009 x2
 9x2 ring




 116206 x1
 2x9.8 pin




 116223 x1
 2x11.8 pin



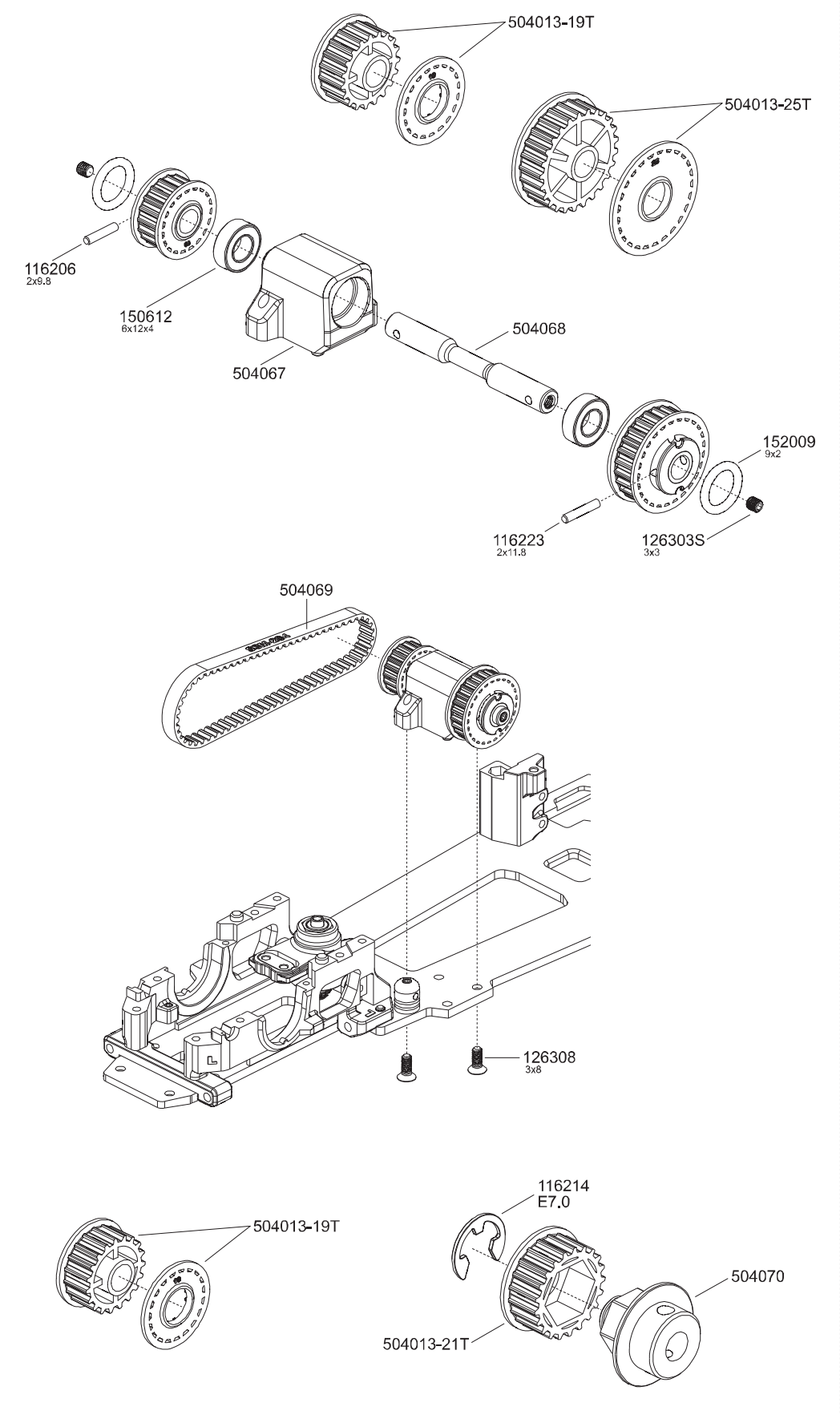
 150612 x2
 6x12 ballbearing



 116214 x1
 E7.0 E-dip



 126308 x2
 3x8 screw





150816 x1
8x16 ballbearing



150612 x1
6x12 ballbearing



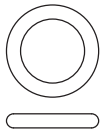
126404S x1
4x4 screw



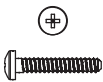
126303S x1
3x3mm screw



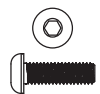
116206 x1
2x9,8 pin



152009 x1
9x2 oring



116212BU x2
2x12 screw



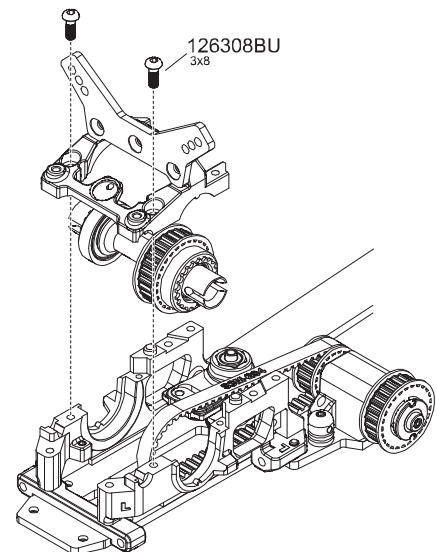
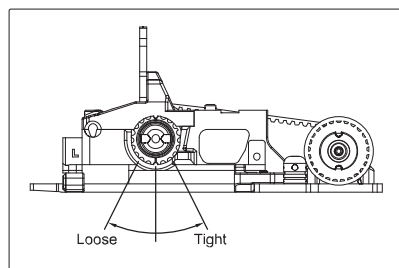
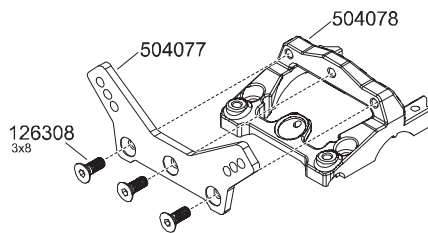
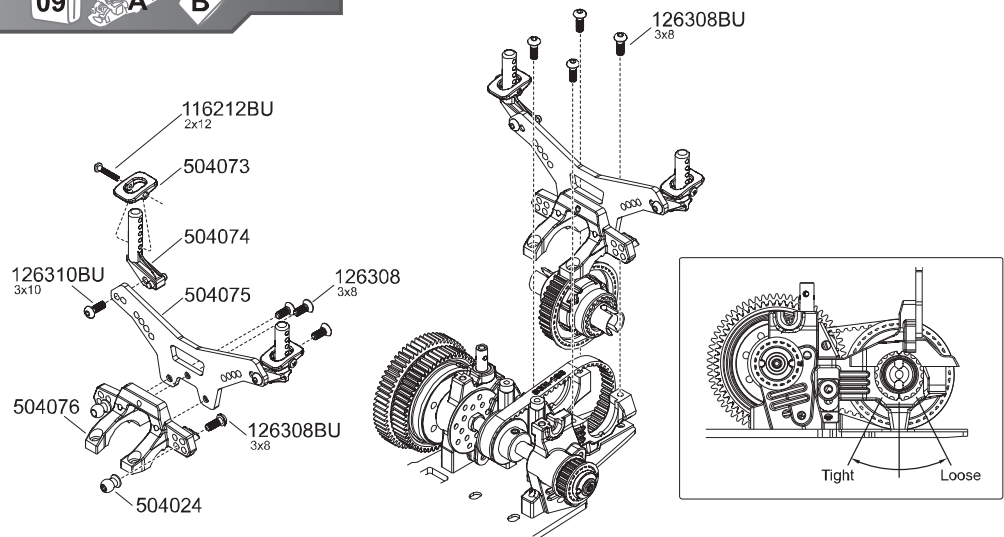
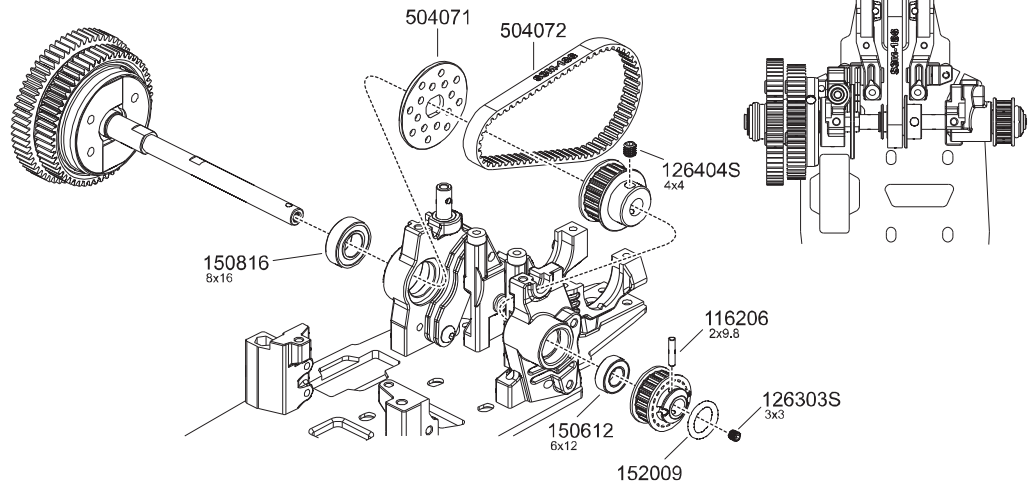
126310BU x2
3x10 screw

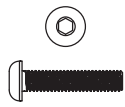


126308BU x8
3x8 screw



126308 x6
3x8 screw





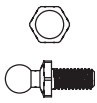
126312BU x2
3x12 screw



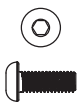
126305S x2
3x5 screw



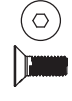
126308S x4
3x8 screw



115029 x4
4x6 ballstud

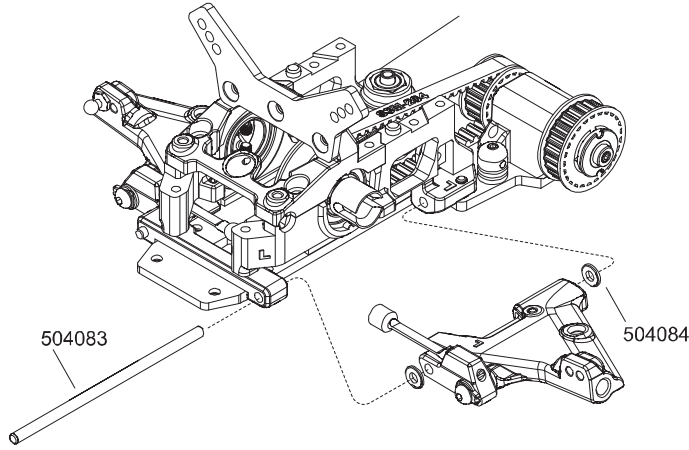
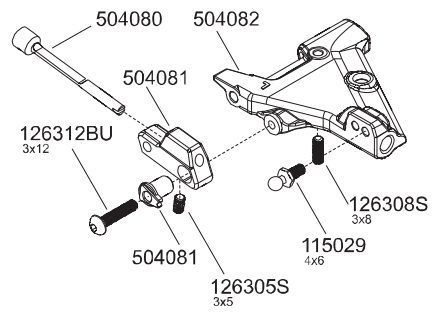
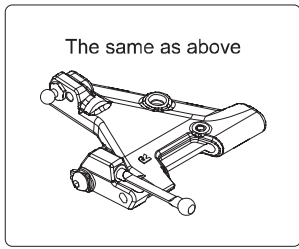


126308BU x3
3x8 screw

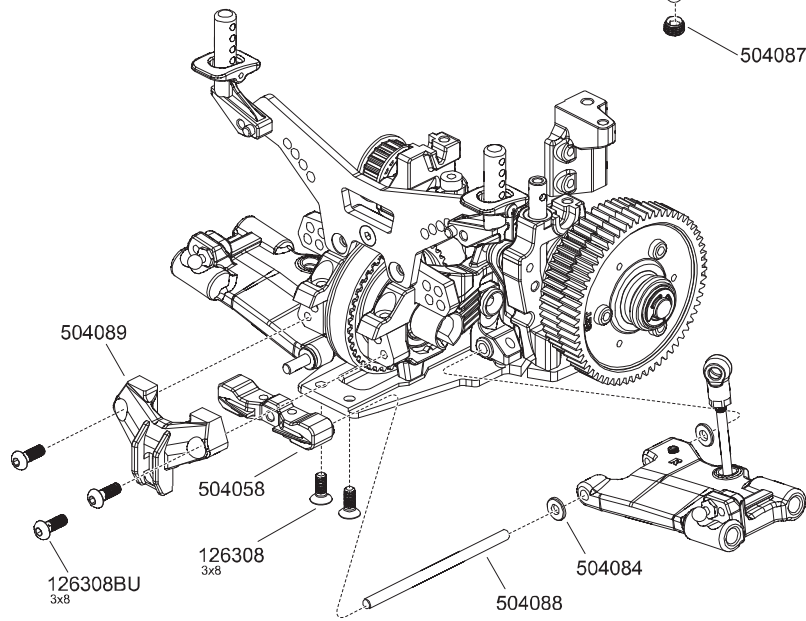
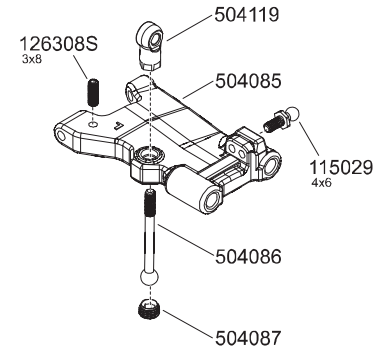
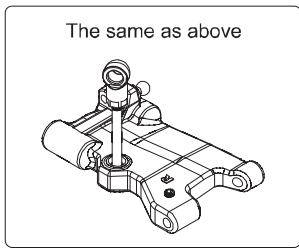


126308 x2
3x8 screw

10 A B



11 A B





126204BU x4
2x4 screw



126308BU x4
3x8 screw



116220 x2
3x10.8 pin



116210 x2
1.8x9.8 pin



151015 x2
10x15 ballbearing



115030 x2
5x4 ballstud



150612 x2
6x12 ballbearing

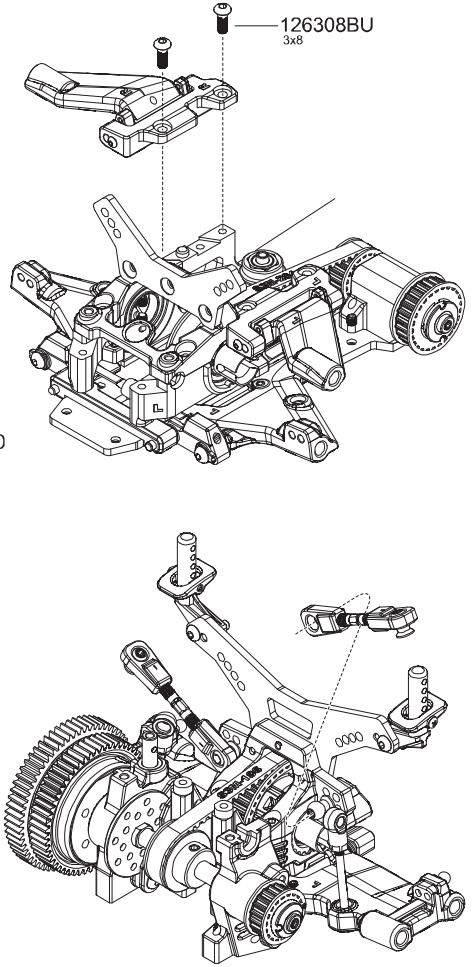
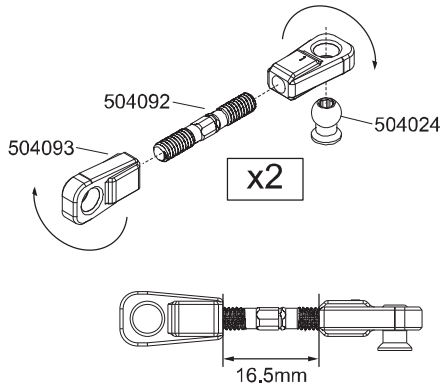
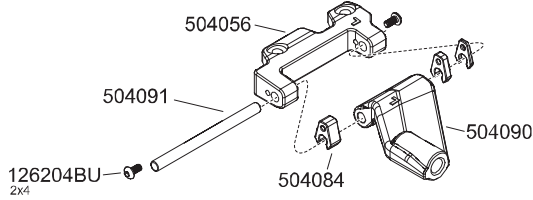
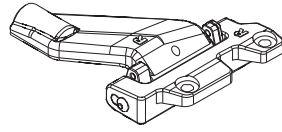


116206 x2
2x9.8 pin

12



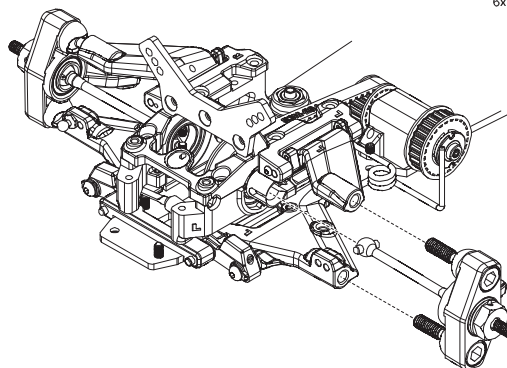
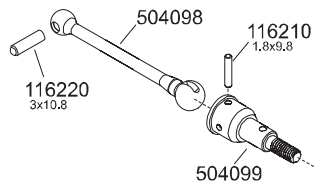
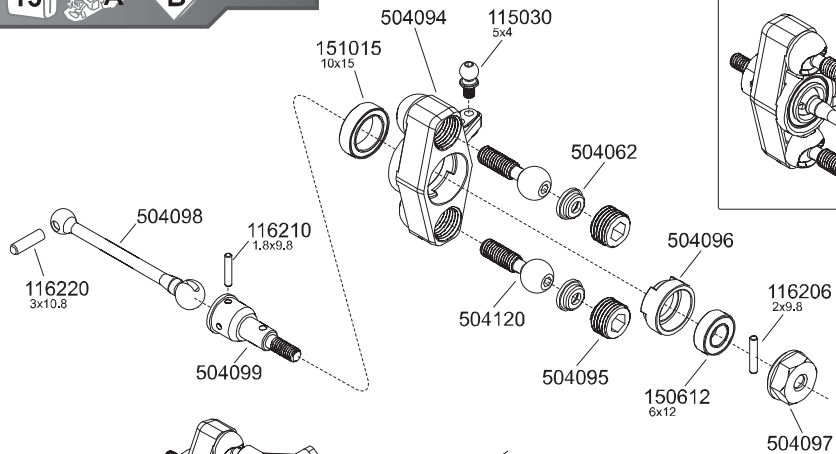
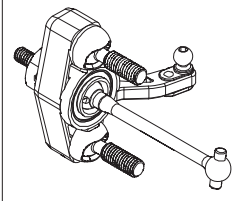
The same as above

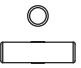
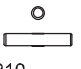



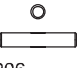

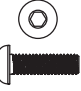

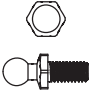



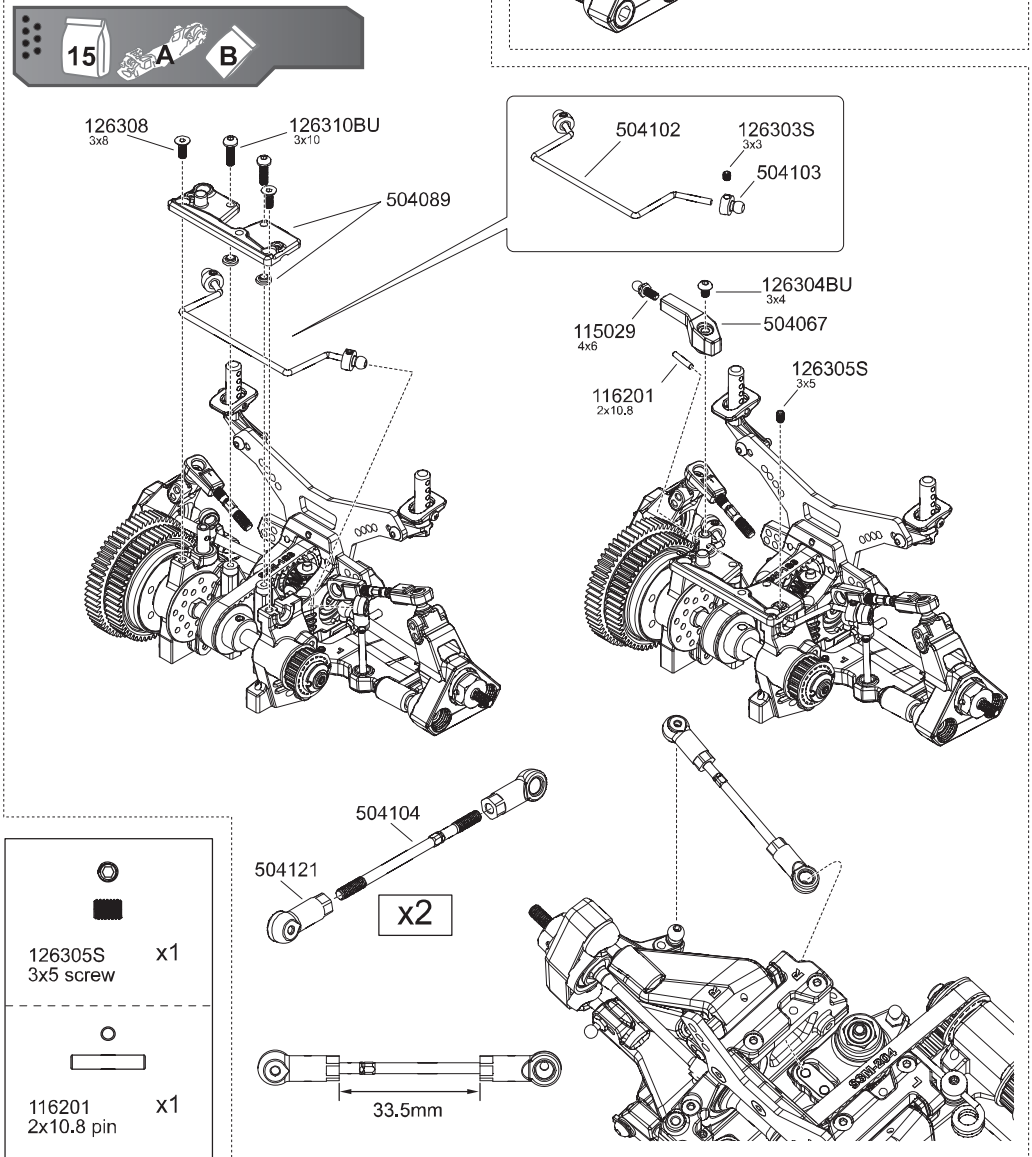
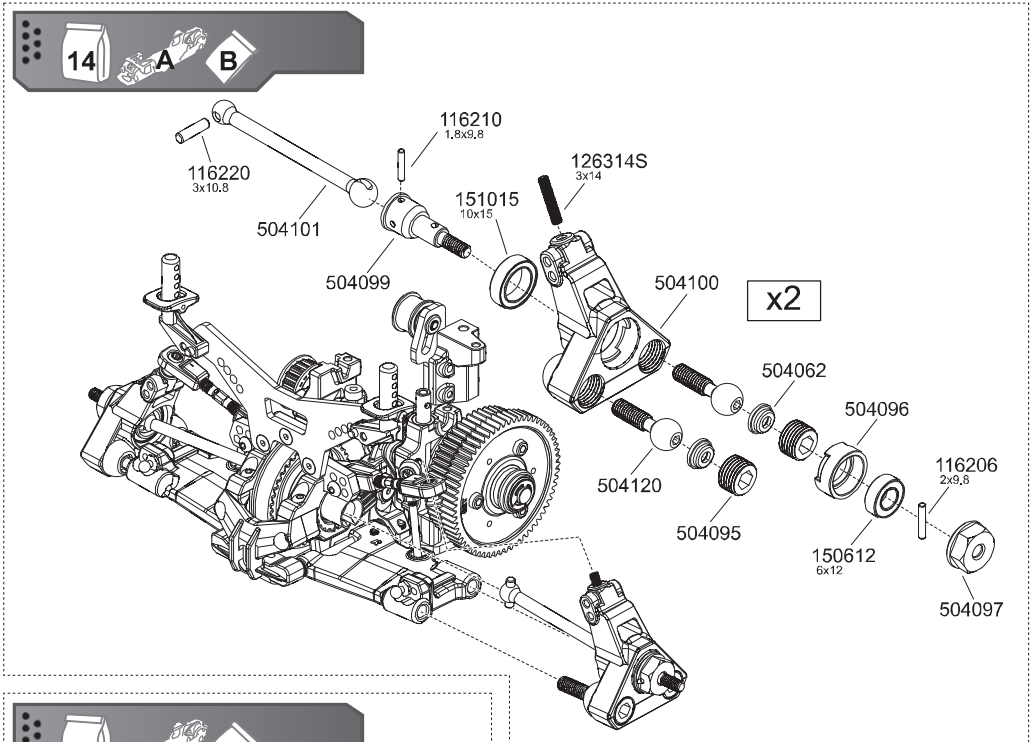
13


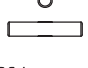


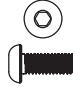
The same as above




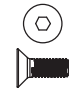
-  116220 x2
3x10.8 pin
-  116210 x2
1.8x9.8 pin
-  126314S x2
3x14 screw
-  151015 x2
10x15 ballbearing
-  150612 x2
6x12 ballbearing
-  116206 x2
2x9.8 pin
-  126308 x2
3x8 screw
-  126310BU x2
3x10 screw
-  126303S x2
3x3 screw
-  115029 x1
4x6 ballstud
-  126304BU x1
3x4 screw

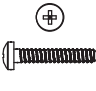


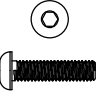
-  126305S x1
3x5 screw
-  116201 x1
2x10.8 pin


-  126308BU x4
3x8 screw

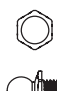
-  111007ST x2
M3 locknut


-  126308 x2
3x8 screw


-  116212BU x2
2x12 screw

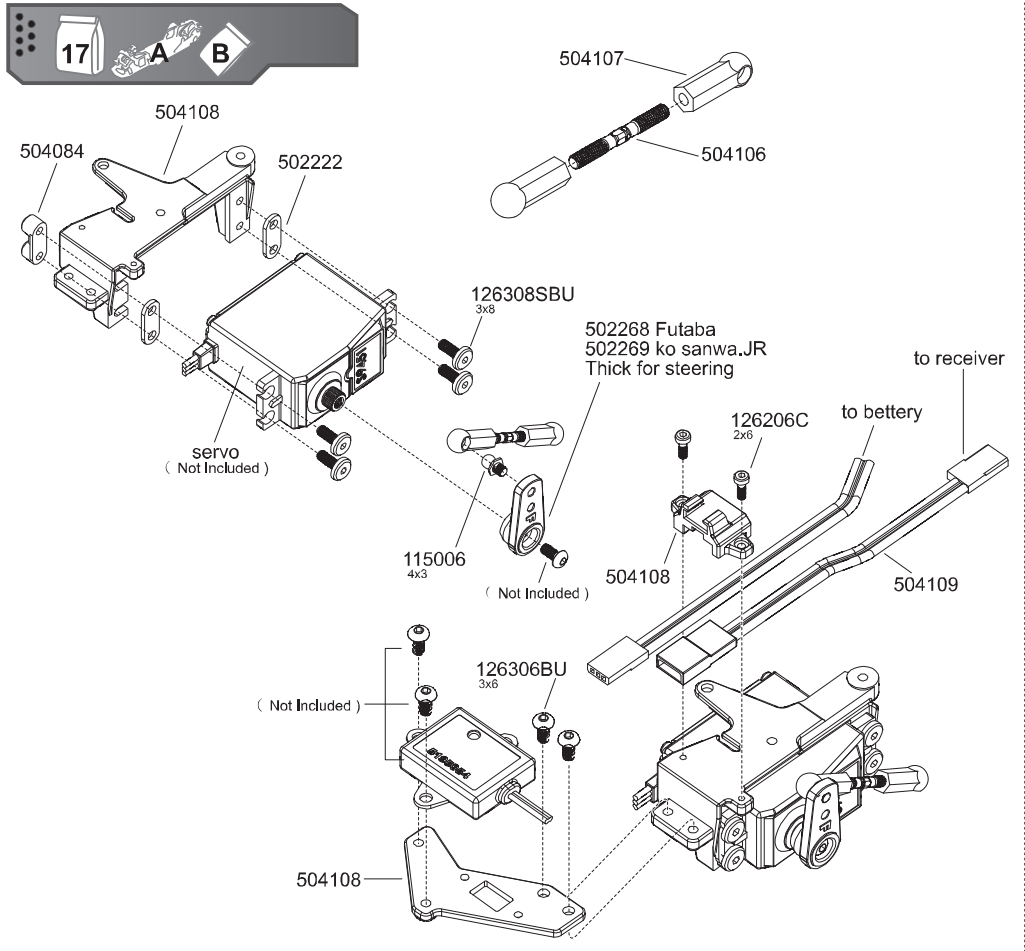
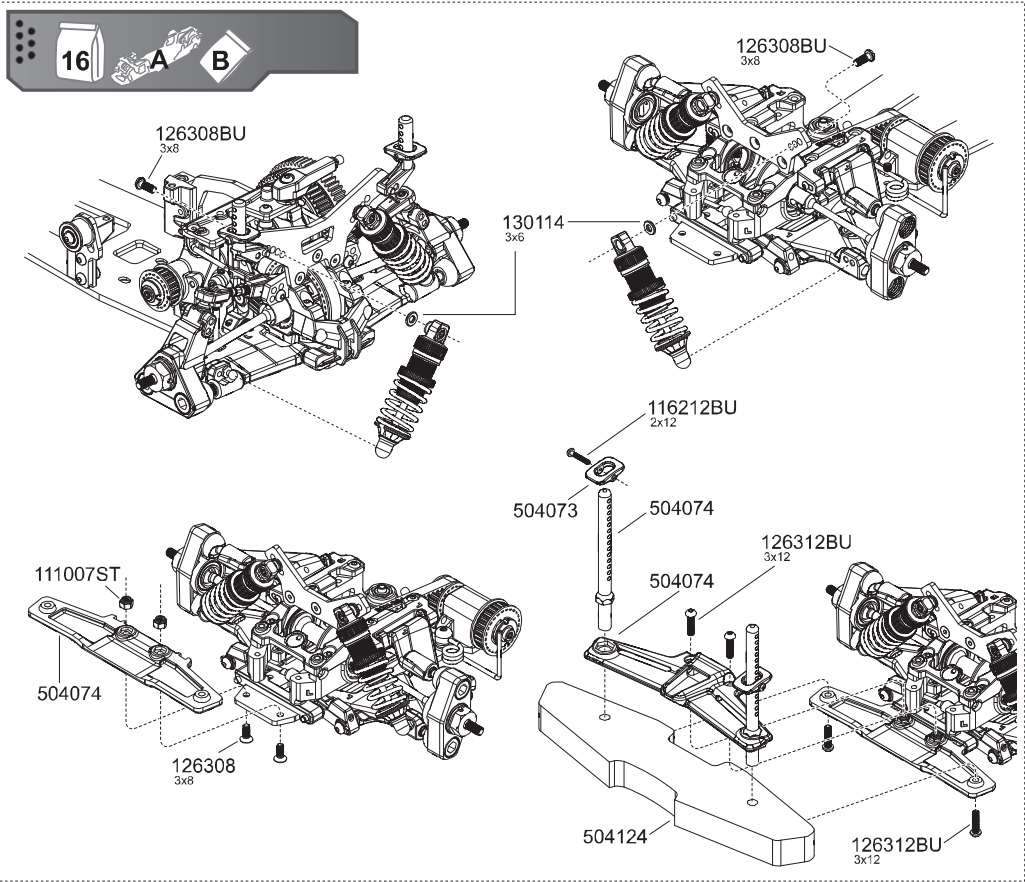
-  126312BU x4
3x12 screw

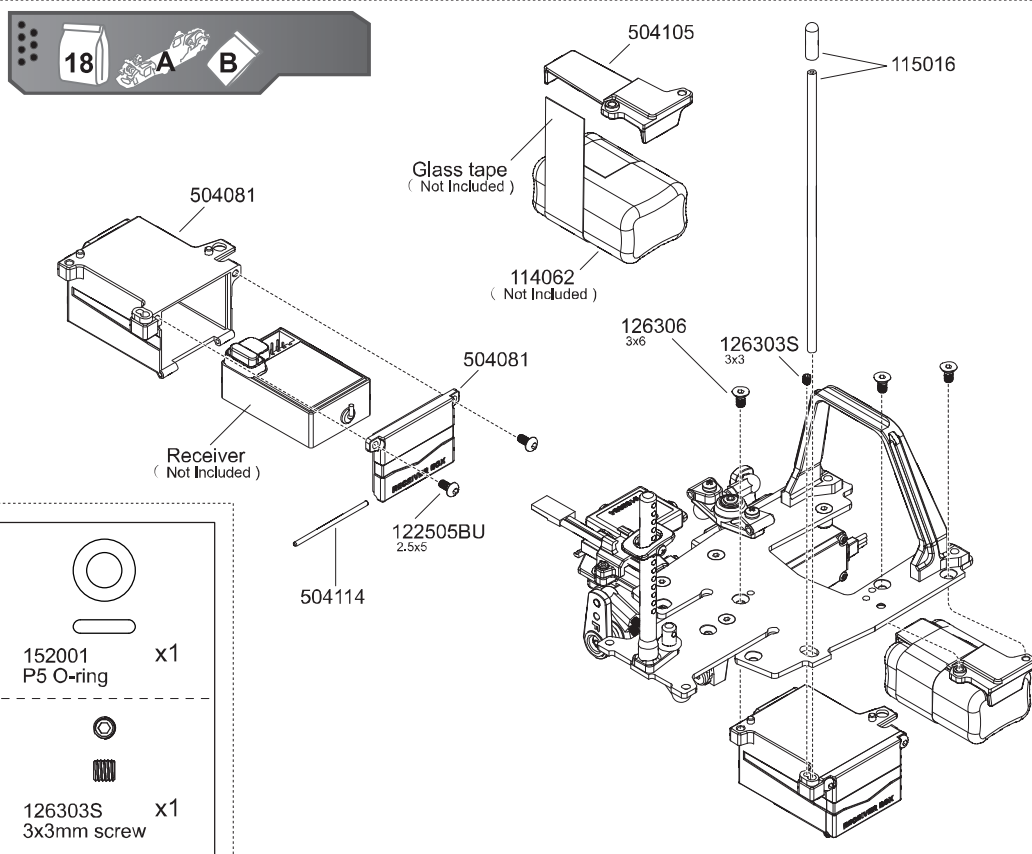
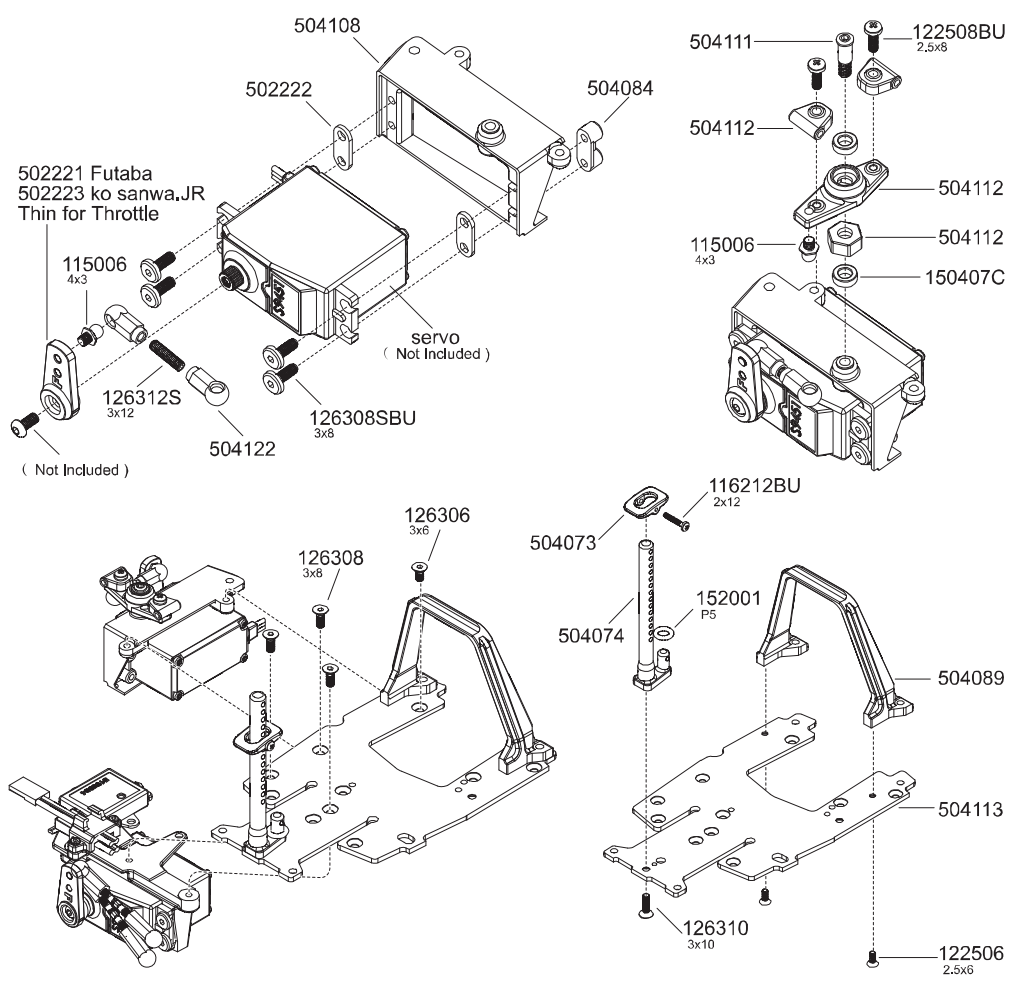
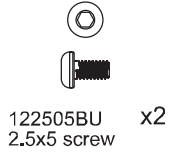
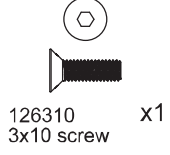
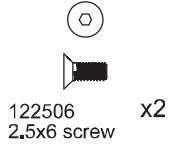
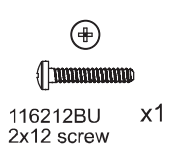
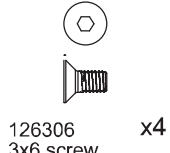
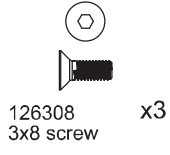
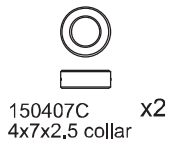
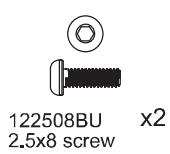
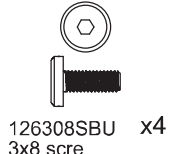
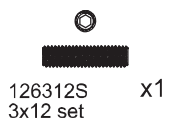
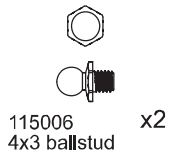
-  126308SBU x4
3x8 screw

-  115006 x1
4x3 ballstud

-  126206C x2
2x6 screw

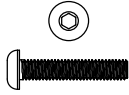
-  126306BU x3
3x6 screw







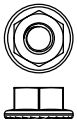
126308 x4
3x8 screw



126316BU x2
3x16 screw



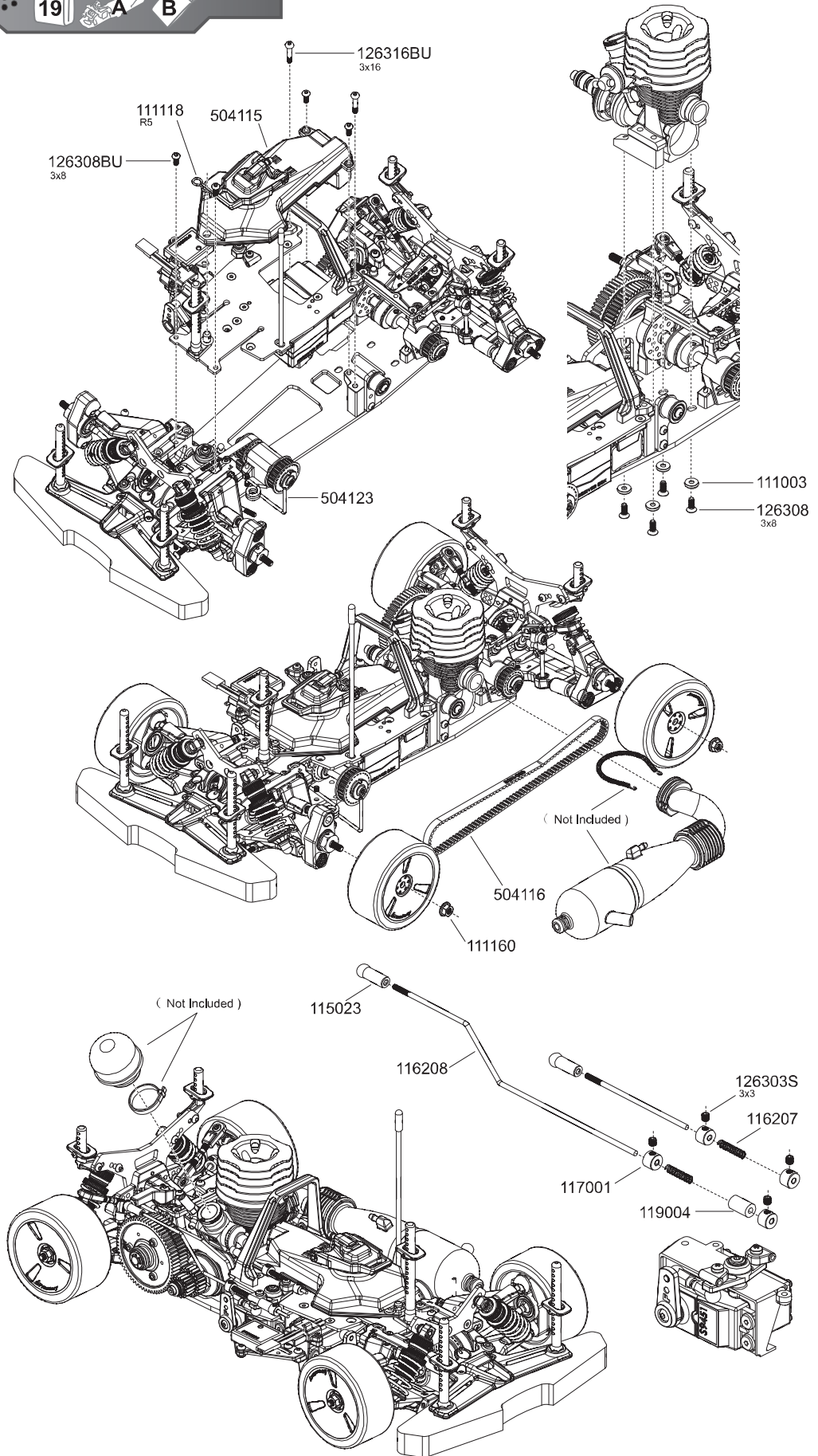
126308BU x4
3x8 screw



111160 x4
M4 locknut



126303S x4
3x3mm screw





Date: _____ Driver: _____
 Event: _____ Car: _____
 Track: _____ Weight: _____

STANDARD SETUP SHEET

THE POWER OF TEAM MATH

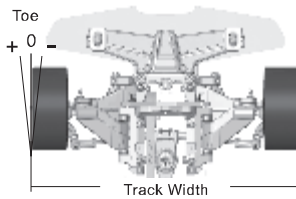
TRACK CONDITIONS

Surface: Smooth Med. Bumpy
 Size: Open Med. Tight
 Traction: High Med. Low

Track Temp/Air Temp: _____° / _____°

Note: _____

FRONT SUSPENSION



Track Width: 199 mm

Anti-Roll Bar: 0°

Diff. Fluid: _____ wt
 One Way
 Solid Axle

Toe Angle: +1 °

Front Camber: L -2° R -2°

Front Ride Height: 5 mm

Front Droop: 3 mm

Caster: 3 mm

Offset: +1.50 +0.75
 +0.0 -0.75

► TIRE

Manufacture: K-factory

Shore: L 35° R 35°

Diameter(Start): L/R _____ / _____ mm

Diameter(Finish): L/R _____ / _____ mm

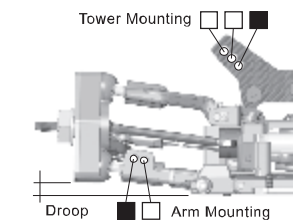
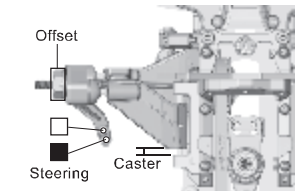
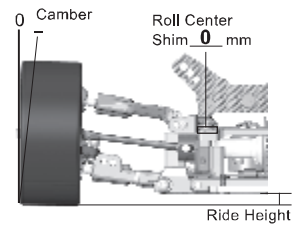
► SHOCKS

Oil: 600 wt

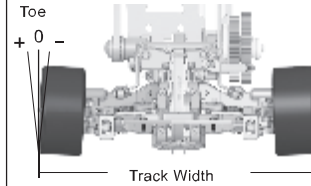
Piston: 2

Spring: standard

► ACKERMANN



REAR SUSPENSION



Track Width: 200 mm

Anti-Roll Bar: Ø2.2

Diff. Fluid: 50000 wt
 Solid Axle

Toe Angle: -2 °

Rear Camber: L -3.5° R -3.5°

Rear Ride Height: 5.5 mm

Rear Droop: 3 mm

Offset: +1.50 +0.75
 +0.0 -0.75

► TIRE

Manufacture: K-factory

Shore: L 37° R 37°

Diameter(Start): L/R _____ / _____ mm

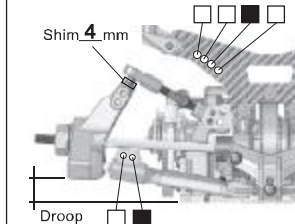
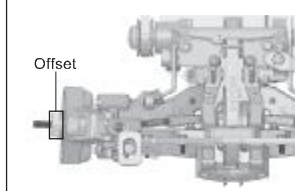
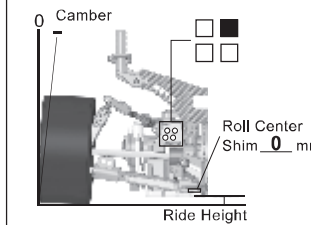
Diameter(Finish): L/R _____ / _____ mm

► SHOCKS

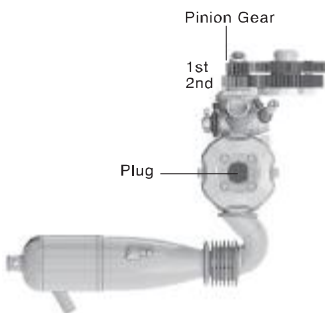
Oil: 600 wt

Piston: 2

Spring: standard



ENGINE



Gear Ratio: 1st 16 T / 22 T
 2nd 56 T / 62 T

Clutch Set Type:

3 Shoe Push Type

Clutch Spring: green

Clutch Shoe: black

Clearance: _____ mm

Engine: _____

Head Shim: _____ mm

Plug: _____

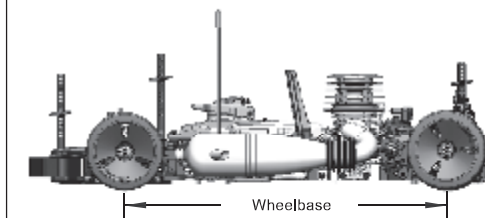
Fuel: _____

Muffer: _____

Carb Dia: _____ mm

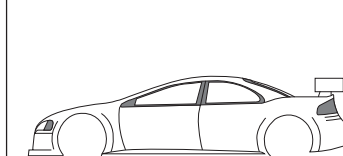
Note: _____

WHEELBASE



256 mm
 257 mm
 258 mm
 259 mm
 260 mm

BODY



Body: _____

Wing Height: _____

Wing Position: _____

Wing Angle: _____



Date: _____ Driver: _____
 Event: _____ Car: _____
 Track: _____ Weight: _____

SETUP SHEET

THE POWER OF TEAM MAGIC

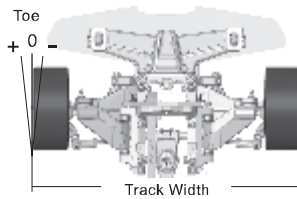
TRACK CONDITIONS

Surface: Smooth Med. Bumpy
 Size: Open Med. Tight
 Traction: High Med. Low

Track Temp/Air Temp: _____° / _____°

Note: _____

FRONT SUSPENSION



Track Width: _____ mm

Anti-Roll Bar: _____

Diff. Fluid: _____ wt
 One Way
 Solid Axle

Toe Angle: _____°

Front Camber: **L** _____° **R** _____°

Front Ride Height: _____ mm

Front Droop: _____ mm

Caster: _____ mm

Offset: +1.50 +0.75
 +0.0 -0.75

► TIRE

Manufacture: _____

Shore: **L** _____° **R** _____°

Diameter(Start): **L/R** _____ / _____ mm

Diameter(Finish): **L/R** _____ / _____ mm

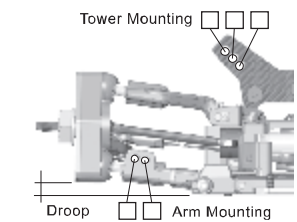
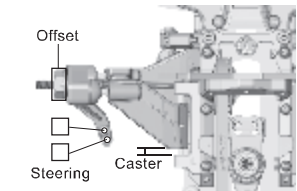
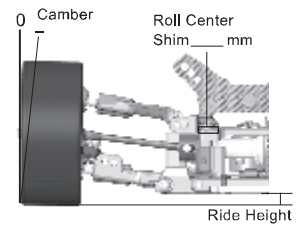
► SHOCKS

Oil: _____ wt

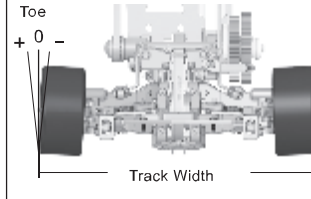
Piston: _____

Spring: _____

► ACKERMANN



REAR SUSPENSION



Track Width: _____ mm

Anti-Roll Bar: _____

Diff. Fluid: _____ wt
 Solid Axle

Toe Angle: _____°

Rear Camber: **L** _____° **R** _____°

Rear Ride Height: _____ mm

Rear Droop: _____ mm

Offset: +1.50 +0.75
 +0.0 -0.75

► TIRE

Manufacture: _____

Shore: **L** _____° **R** _____°

Diameter(Start): **L/R** _____ / _____ mm

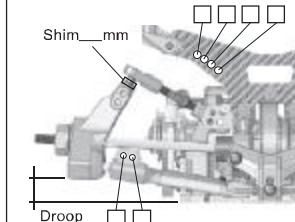
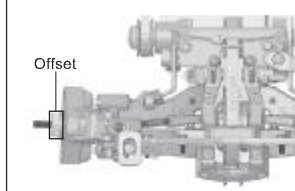
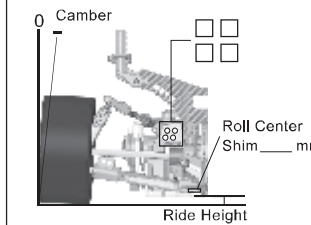
Diameter(Finish): **L/R** _____ / _____ mm

► SHOCKS

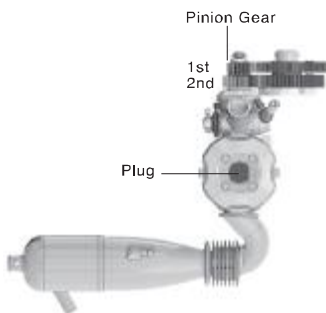
Oil: _____ wt

Piston: _____

Spring: _____



ENGINE



Gear Ratio: 1st ___ T / ___ T
 2nd ___ T / ___ T

Clutch Set Type:

3 Shoe Push Type

Clutch Spring: _____

Clutch Shoe: _____

Clearance: _____ mm

Engine: _____

Head Shim: _____ mm

Plug: _____

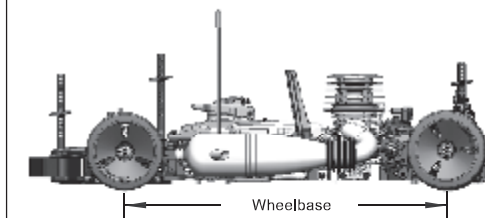
Fuel: _____

Muffer: _____

Carb Dia: _____ mm

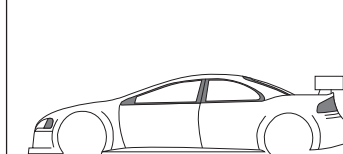
Note: _____

WHEELBASE



- 256 mm
- 257 mm
- 258 mm
- 259 mm
- 260 mm

BODY



Body: _____

Wing Height: _____

Wing Position: _____

Wing Angle: _____



Parts List

1 PARTS	
Item No.	Item Description
111003	3mm Alum Fh Washer(6)
114062	6V Square Receiver Pack
115016	Antenna Rod(2)
115023	Throttle Ball Cup(4)
116207	Throttle/Break Linkage Spring(4)
116208	Throttle/Break Linkage Rod(4)
117001	Alum Stopper(4)
119001	Silicone Fuel Tube(60cm)
502221	Servo Arm (Futaba)(2)
502222	Servo spacer(4)
502223	Servo Arm (Ko Sanwa JR)(2)
502268	Thick Servo Arm (Futaba)(2)
502269	Thick Servo Arm (Ko Sanwa JR)(2)
504011	G4 Front Spool
504012	G4 Front Spool Outdrive(2)
504013	G4 Pully Set 27T, 19T, 25T, 19T, 21T
504014	G4 Belt Adjuster(4)
504015	G4 Bevel Gear Set
504016	G4 Differential Bevel Shaft (2)
504017	G4 Differential Gear Box Set
504018	G4 Rear Differential Outdrive (2)
504019	Shock Piston Plastic Parts
504020	Shock Shaft (2)
504021	Shock Body (2)
504022	Shock Body Lower Cap(2)
504023	Shock Ball End & Nylon Set
504024	5.8mm Ball
504025	Shock Body Upper Cap(2)
504026	Shock Bladder (4)
504027	Shock Body Collar (2)
504028	G4 Shock Spring(2)
504029	G4 One-Way Hub Set
504030	G4 2 Speed Housing
504031-62	G4 Spur Gear 62T
504031-63	G4 Spur Gear 63T
504031-64	G4 Spur Gear 64T
504032-56	G4 Spur Gear 56T
504032-57	G4 Spur Gear 57T
504032-58	G4 Spur Gear 58T
504033	G4 2 Speed Shaft (Rear)
504034	G4 2 Speed Shaft (Front)
504035	G4 2 Speed Spring(2)
504036	G4 2 Speed Shoe(2)
504037	G4 2 Speed Shoe Cam Post (2)
504038	G4 Engine Mount (pair)
504039	Flywheel Bushing
504040	G4 Flywheel
504041	G4 Clutch Nut
504042	G4 Push Type Clutch Centrifugal Shoe
504043	G4 Push Type Clutch Shoe Plate
504044	G4 Push Type Clutch Shoe
504045	G4 Push Type Clutch Spring Holder
504046	Push Type Clutch Spring (Green)
504047	G4 Clutch Adjusting Nut
504048	G4 Push Type Clutch Bell
504049-16	G4 Push Type Clutch Gear 16T
504049-17	G4 Push Type Clutch Gear 17T
504050-21	G4 Push Type Clutch Gear 21T
504050-22	G4 Push Type Clutch Gear 22T
504050-23	G4 Push Type Clutch Gear 23T

Item No.	Item Description
504051	G4 Thrust Bearing Retainer
504052	G4 Chassis
504053	Pipe Holder
504054	G4 Servo Saver Post
504055	G4 Front Bulkhead (pair)
504056	G4 Front Hinge Pin Mount Set
504057	G4 Rear Bulkhead (pair)
504058	G4 Rear Hinge Pin Mount Set
504059	G4 2 Speed Shaft Side Plate(pair)
504060	G4 Brake Cam
504061	G4 Brake Piston
504062	G4 Steering Adjusting Spacers, 9mm Ball Spacers
504063	G4 Servo Saver Set
504064	G4 Servo Saver Alum. Post
504065	G4 Servo Saver Spring
504066	G4 Servo Saver Adjusting Nut
504067	G4 Middle Shaft Mount , Brake Lever
504068	G4 Middle Shaft
504069	G4 Front Belt (204mm)
504070	G4 Rear Middle Pully Mount
504071	G4 Brake Disk
504072	G4 Rear Belt (186mm)
504073	Floating Body Mount
504074	G4 Bumper and Body post set
504075	G4 Rear Shock Tower
504076	G4 Rear Bulkhead Upper Mount
504077	G4 Front Shock Tower
504078	G4 Front Bulkhead Upper Mount
504079	G4 Alum. Side Plate(Pair)
504080	G4 Front Anti-Roll Bar Set(pair)
504081	G4 Front Anti-Roll Bar Mount , Receiver Box
504082	G4 Front Lower Arm(Pair)
504083	G4 Front Lower Hinge Pin (3 x 71.5mm)
504084	Adjustment Washer Set
504085	G4 Rear Lower Arm(pair)
504086	Rear Anti-Roll Bar Turnbuckle(2)
504087	Rear Anti-Roll Bar Nut
504088	G4 Rear Lower Hing Pin (3 x 54mm)
504089	G4 Rear Plate, Handle, Rear Anti-Roll Mount
504090	G4 Front Upper Arm (pair)
504091	G4 Front Upper Hinge Pin (3 x 41mm)
504092	4 x 25mm Adjustable Rod (2)
504093	5.8mm Ball End (10)
504094	G4 Front Steering Block (L&R)
504095	M10 Wheel Adapter Nut (4)
504096	Quick-Change Bearing Stopper (4)
504097	Hex Wheel Adapter (4)
504098	G4 CVA Front Drive Shaft(2)
504099	Wheel Adapter Outdriver(2)
504100	G4 Rear Hub Carrier(pair)
504101	G4 CVA Rear Drive Shaft(2)
504102	Rear Anti-Roll Bar
504103	5.0mm Anti-Roll Bar Ball End(4)
504104	3 x 50mm Adjustable Rod (2)
504105	G4 Radio Plate Support Set
504106	3 x 25mm Adjustable Rod (2)
504107	4mm Ball End (10)
504108	G4 Servo Mount Set
504109	G4 Receiver Extended Line
504110	G4-Side Belt Tensioner Set
504111	G4 Throtte Swing Arm Screw (2)

Item No.	Item Description
504112	G4 Throtte Swing Arm Set
504113	G4 Radio Plate
504114	G4 Receiver Box Hinge
504115	G4 Feul Tank Set
504116	G4 Side Belt (360mm)
504117	#50000 Silicone Oil
504118	Brake Pad(pair)
504119	5.0mm Ball End(6)
504120	9.0mm Pivot Ball(2)
504121	5.0mm Long Ball End(6)
504122	4.0mm Short Ball End(6)
504123	Pipe Holder Spring
504124	G4 Foam Bumper

2 SCREW	
Item No.	Item Description
111007ST	M3,0 Lock Nut(10)
111160	M4,0 Lock Nut(4)
111161	M2,0 Lock Nut(10)
115006	4 x 3mm BslI Stud(10)
115007	4 x 4mm Ball Stud(10)
115029	4 x 6mm Ball Stud(6)
115030	5 x 4mm Ball Stud(6)
116212BU	2 x 12mm BH Screw(10)
122505BU	M2.5 x 5mm BH Screw(10)
122506	M2.5 x 6mm FH Screw(10)
122508BU	M2.5 x 8mm BH Screw(10)
126206C	M2,0 x 6mm Cap Screw(6)
126303S	M3 x 3mm Set(6)
126304BU	M3 x 4mm BH Screw(10)
126305S	M3 x 5mm Set(6)
126306	M3 x 6mm FH Screw(6)
126308	M3 x 8mm FH Screw(6)
126308S	M3 x 8mm Set(10)
126308C	M3 x 8mm Cap Screw(6)
126308BU	M3 x 8mm BH Screw(6)
126308SBU	M3 x 8mm SBH Screw(10)
126310	M3 x 10mm FH Screw(6)
126310BU	M3 x 10mm BH Screw(6)
126312S	M3 x 12mm Set(6)
126312C	M3 x 12mm Cap Screw(6)
126314BU	M3 x 14mm BH Screw(6)
126314S	M3 x 14mm Set(6)
126314HB	M3 x 14mm BH Screw H(10)
126316BU	M3 x 16mm BH Screw(10)
126404S	M4 x 4mm Set(6)

3 BEARING	
Item No.	Item Description
150407C	4 x 7 x 2,5 Collar(4)
150508C	5 x 8 x 2,5 Collar(4)
150510	5 x 10 x 4 Ball Bearing(4)
150510TL	5 x 10 x 4 Trust Bearing
150612	6 x 12 x 4 Ballbearing(4)
150816	8 x 16 x 5 Ball Bearing(4)
151015	10 x 15 x 4 Ball Bearing(4)
151218	12 x 18 x 4 Ball Bearing(4)

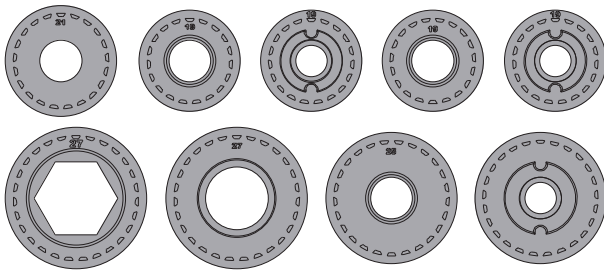
4 O-RING	
Item No.	Item Description
152002	O-Ring 11.2 x 1,7(10)
152005	O-Ring 4,7 x 1,4(10)
152006	O-Ring 23 x 1(10)
152007	O-Ring P3(10)
152009	O-Ring 9 x 2(10)
152010	O-Ring P5(10)

5 PIN	
Item No.	Item Description
111118	R5 R-Clip(10)
111120	R6 R-Clip(10)
116201	2 x 10,8mm Pin(10)
116203	E5,0 E-Clip(10)
116206	2 x 9,8mm Pin(10)
116210	1,8 x 9,8mm Pin(10)
116214	E7,0 E-Clip(4)
116220	3 x 10,8mm Pin(10)
116223	2 x 11,8mm Pin(10)
116228	2 x 9,0mm Pin(10)

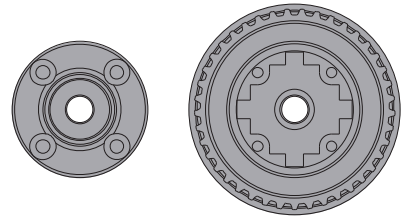
6 WASHER	
Item No.	Item Description
130109	5,2 x 15 x 0,3 Washer(10)
130110	3,6 x 8,5 x 0,2 Washer(10)
130111	2,6 x 6 x 0,5 Washer(10)
130112	5 x 9 x 0,30 Washer(10)
130113	5 x 9 x 0,15 Washer(10)
130114	3 x 6 x 1 Washer(10)

ARRANGEMENT OF PLASTIC PARTS

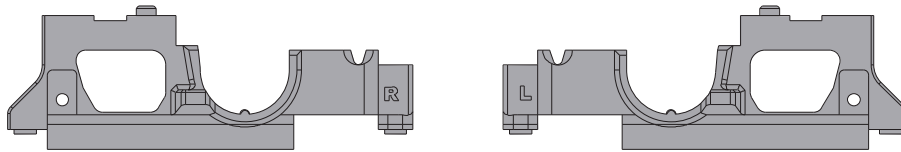
504013



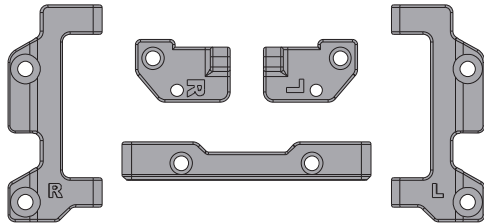
504017



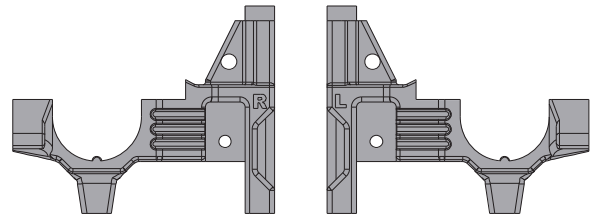
504055



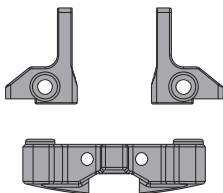
504056



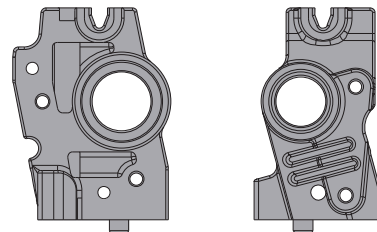
504057



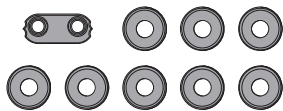
504058



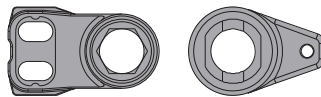
504059



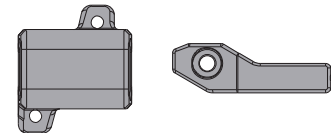
504062



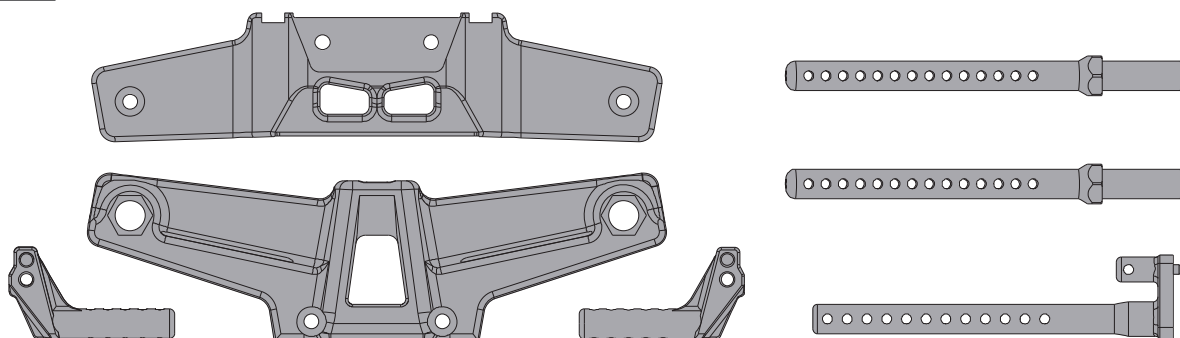
504063



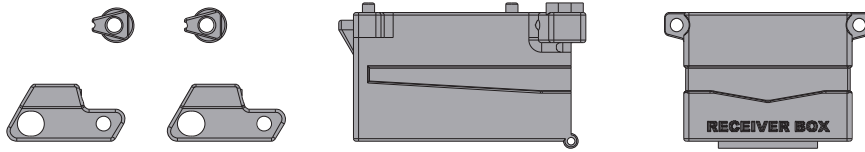
504067



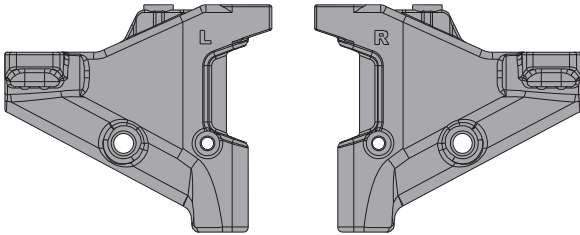
504074



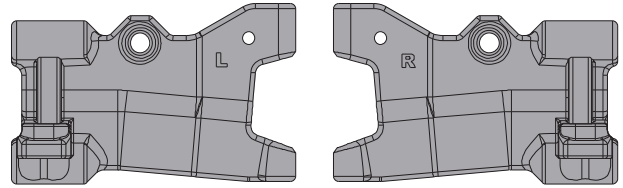
504081



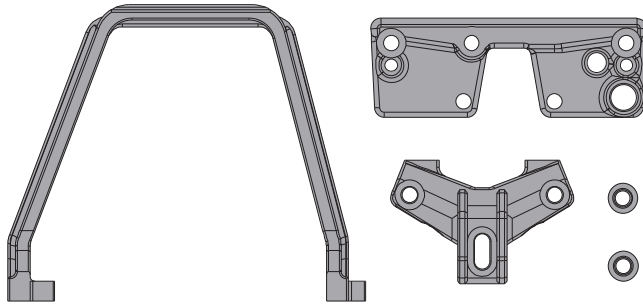
504082



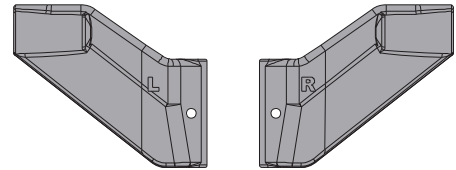
504085



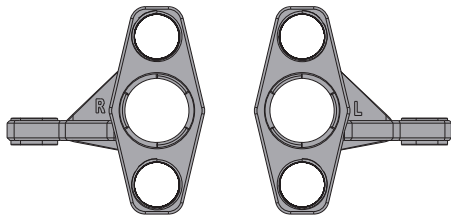
504089



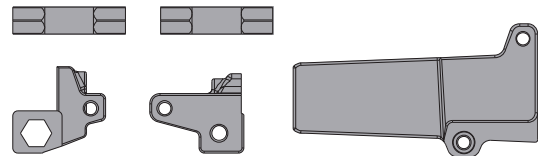
504090



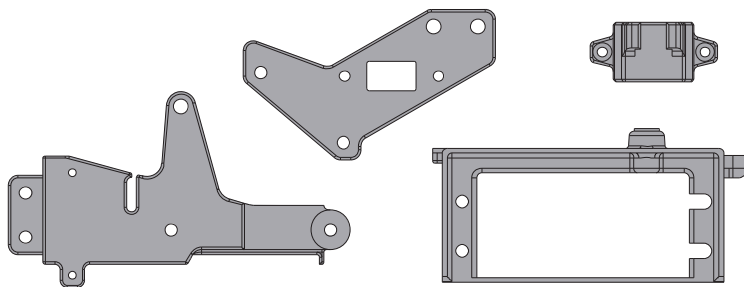
504094



504105



504108



504112

